

# LP158\*158-M-66-MH

Rated Power 360-375W



**9BB Cell**  
More uniform current collection capability, reducing the current heat loss of the internal cells.



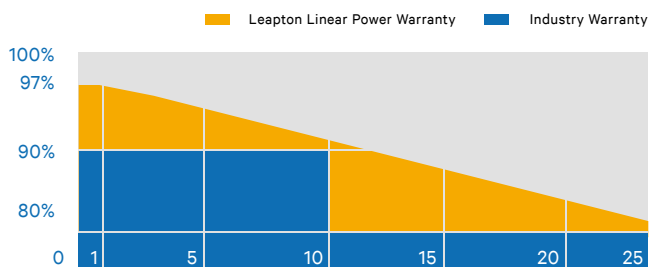
**Low Light Features**  
Higher performance under low light environment.



**Higher Output Power**  
The output power of 132 half-cells Monocrystalline modules is up to 375W.



**Load Capacity**  
Mechanical load tests including wind load 2400 Pa and snow load 5400 Pa done by TUV Nord.



• IEC61215  
• IEC61730

Headquarter : Leapton Energy Co., Ltd.

📍 Tosei Bldg. 6F, 1-2-1 Aioi-cho, Chuo-ku Kobe-shi, Hyogo, 650-0025, Japan

☎ +81-78-382-3182

🌐 [www.leaptonenergy.jp](http://www.leaptonenergy.jp)

Factory : Leapton Solar (Changshu) Co., Ltd.

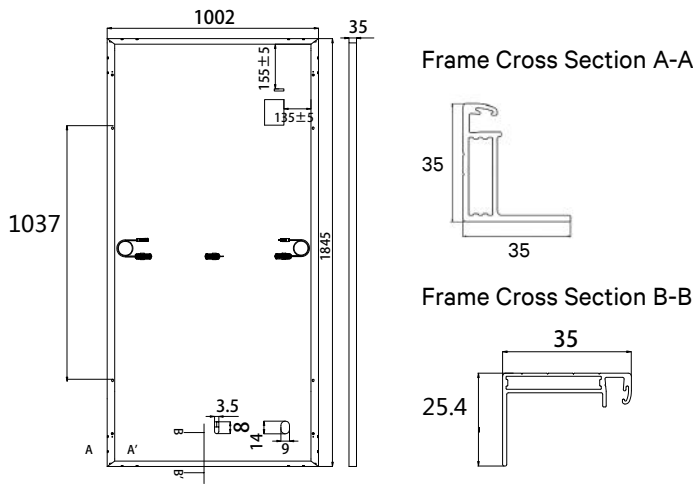
📍 No.9, Sunshine Avenue, Changshu City, Jiangsu, China

☎ +86-512-88800068

✉ [info@leaptonenergy.com](mailto:info@leaptonenergy.com)

🌐 [www.leaptonpv.com](http://www.leaptonpv.com)

### MECHANICAL DIAGRAMS



### SPECIFICATIONS

Weight	21kg
Dimensions	1845mm*1002mm*35mm
Cell Dimensions	158*158mm
Maximum System Voltage	1500V
Junction Box	IP68
Frame	Aluminum Alloy
Cable	4mm2, Landscape: N 1100mm/P 1100mm Portrait: N 150mm/P 300mm
Connector	PV-GZX 1500
Application Level	Class A
Country of Manufacturer	China
Fire Safety Class	Class C according to ANSI/UL 1703-2018

### ELECTRICAL PARAMETERS AT STC

Module Name	LP158*158-M-66-MH-360W	LP158*158-M-66-MH-365W	LP158*158-M-66-MH-370W	LP158*158-M-66-MH-375W
Power	360W±3%	365W±3%	370W±3%	375W±3%
Open Circuit Voltage	45.00V±5%	45.20V±5%	45.40V±5%	45.60V±5%
Short Circuit Current	10.13A±5%	10.17A±5%	10.22A±5%	10.28A±5%
Maximum Power Voltage	37.55V	37.80V	38.05V	38.30V
Maximum Power Current	9.59A	9.66A	9.73A	9.79A
Module Efficiency	19.4%	19.6%	20.0%	20.2%

\* Under Standard Test Conditions (STC) of irradiance of 1000 W/m2, spectrum AM 1.5 and cell temperature of 25°C.

### ELECTRICAL PARAMETERS AT NMOT

Power	271W	275W	279W	282W
Open Circuit Voltage	42.90V	43.10V	43.30V	43.50V
Short Circuit Current	8.17A	8.22A	8.27A	8.32A
Maximum Power Voltage	35.40V	35.65V	35.90V	36.10V
Maximum Power Current	7.66A	7.71A	7.77A	7.81A
Module Efficiency	14.6%	14.8%	15.0%	15.2%

\* Under Nominal Module Operating Temperature (NMOT), irradiance of 800 W/m2, spectrum AM 1.5, ambient temperature 20°C, wind speed 1 m/s.

### TEMPERATURE CHARACTERISTICS

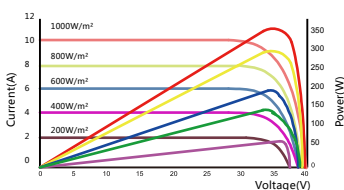
NMOT	45±3°C	Temp Coefficient of ISC	+0.05%/°C
Temp Coefficient of VOC	-0.28%/°C	Temp Coefficient of Pmax	-0.36%/°C

### PACKING CONFIGURATION

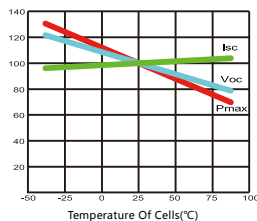
Modules/Pallet	31 Pieces	Modules/40'Container	828 Pieces
Packing Description	24 Pallets, Total=(31+31+7)x12=828 Pieces		

### CHARACTERISTICS

LP158\*158-M-66-MH-370W



LP158\*158-M-66-MH-370W



### MAXIMUM RATING

Tolerance for output power	±3%
Operating Temperature	-40°C~+85°C
Wind Load/Snow Load	2400pa/5400pa
Fuse Current	15A

